

THIS DRAWING IS UNPUBLISHED.

RELEASED FOR PUBLICATION

--,--

© COPYRIGHT BY TYCO ELECTRONICS CORPORATION.

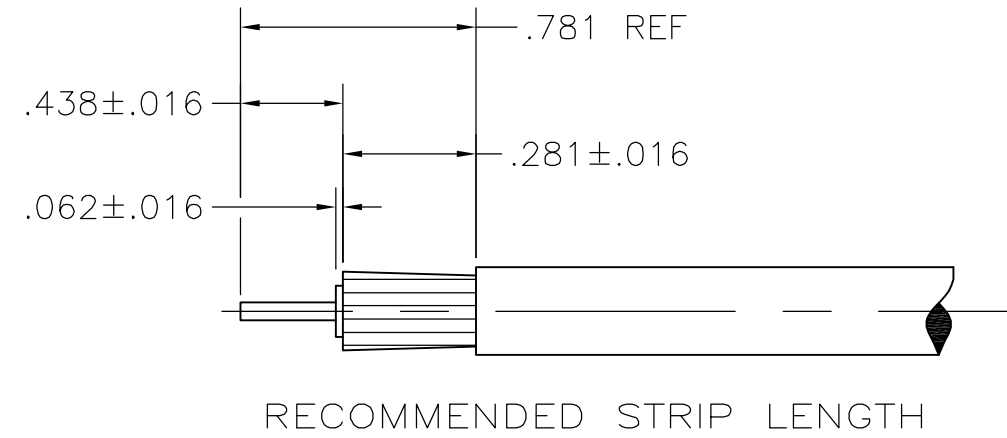
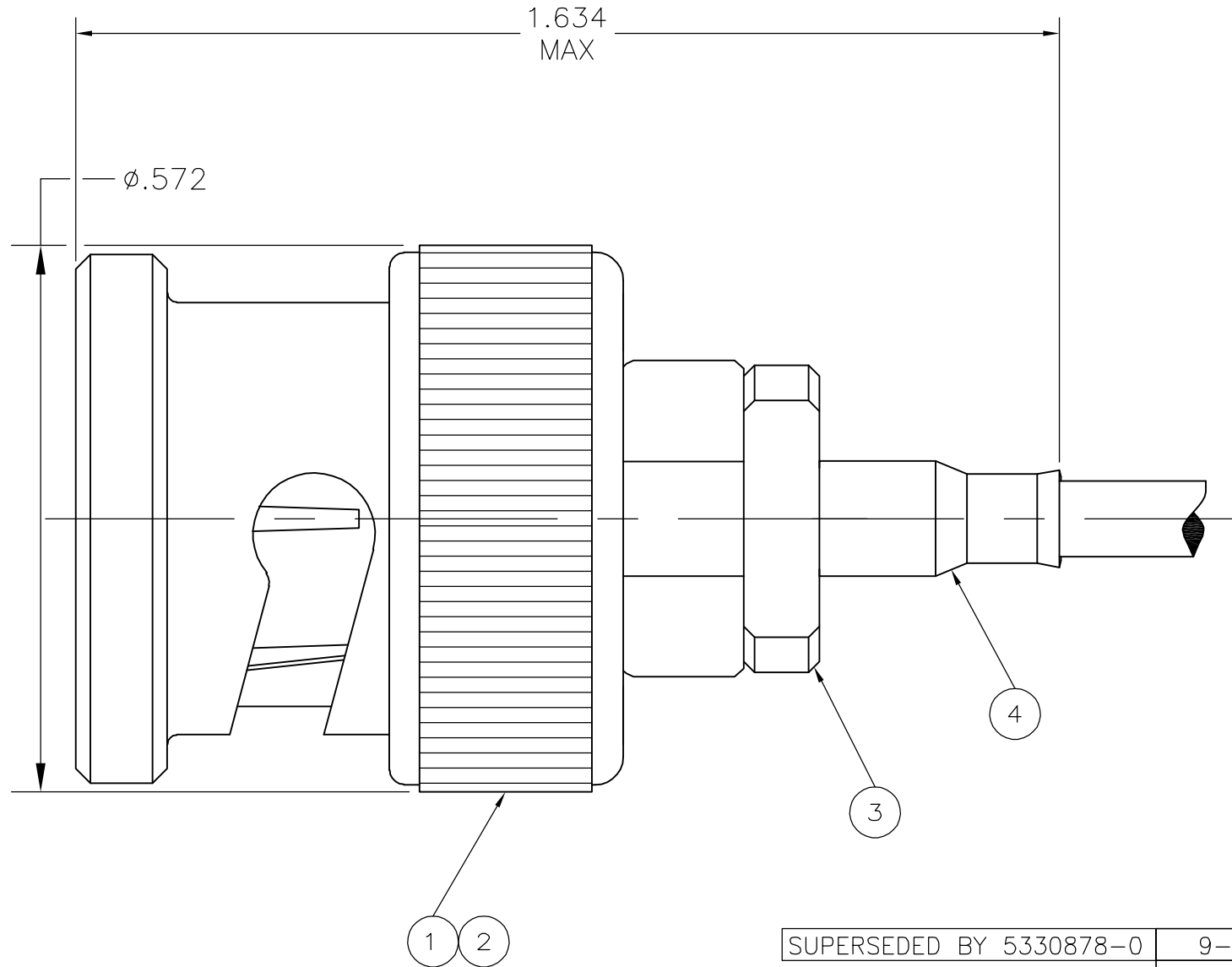
ALL RIGHTS RESERVED.

LOC AJ DIST 16

REVISIONS

P	LTR	DESCRIPTION	DATE	DWN	APVD
	J	REVISED PER EC OS14-0173-05	26JULY05	BM	JL

- FOR USE WITH: BELDEN 8281, WE 724 & 3049 CABLES.
- CRIMPING TOOL: 69652
- SEE INSTRUCTION SHEET 408-1799-1.



SUPERSEDED BY 5330878-0	9-331256-0	1-50780-7	2-329106-1	9-329327-0	9-330878-0
	9-331256-0	1-50780-7	2-329106-1	329327	330878
4 FERRULE QTY=1	3 CRIMP END QTY=1	2 GASKET QTY=1	1 PLUG ASSEMBLY QTY=1	PART NUMBER	

THIS DRAWING IS A CONTROLLED DOCUMENT.		DWN M. E. 05-24-83	Tyco Electronics Corporation Harrisburg, Pa 17105-3608			
DIMENSIONS: INCHES		CHK D. HEIDE 08-26-83				
TOLERANCES UNLESS OTHERWISE SPECIFIED:		APVD G. M. 12-09-83	NAME			
0 PLC ± - 1 PLC ± - 2 PLC ± - 3 PLC ± - 4 PLC ± - ANGLES ± -		PRODUCT SPEC -	CONNECTOR, COAXIAL RF PLUG, SERIES BNC			
MATERIAL		APPLICATION SPEC -	SIZE	CAGE CODE	DRAWING NO	RESTRICTED TO
FINISH		WEIGHT .458 OZ	A3	00779	C-330878	-
CUSTOMER DRAWING			SCALE NTS	SHEET 1 OF 1	REV J	